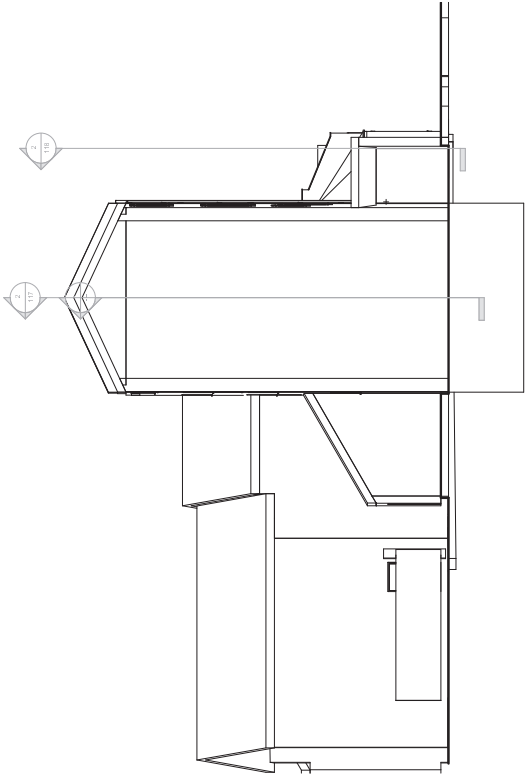


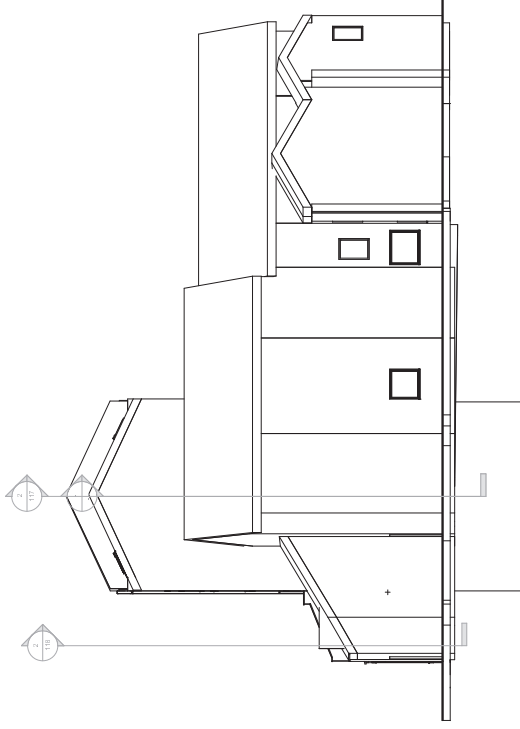
**Existing - North**  
1 : 100



**Existing - West**  
1 : 100



**Existing - South**  
1 : 100



**Existing - East**  
1 : 100

REVISIONS  
NO. DATE  
1. 15/02/2015

PROJECT: Courtyard Hotel & Georgian Theatre  
DRAWN BY: E. 100@JAI  
CHECKED BY: DC

DATE: 15/02/2015  
DRAWN BY: E. 100@JAI  
CHECKED BY: DC  
PROJECT: Courtyard Hotel & Georgian Theatre  
DRAWING NO: 113

PLANNING

DKSARCHITECTS  
15.026  
113